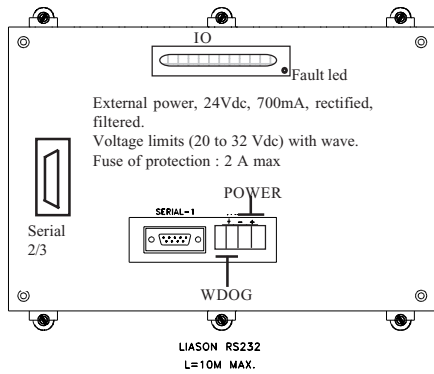


Connection :



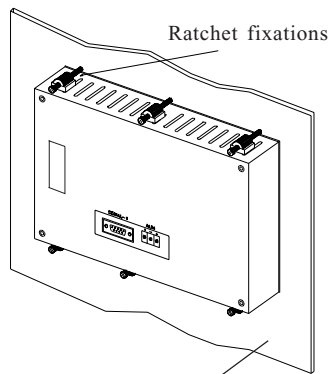
SERIAL-1 SUBD 9PTS MALE		OPTION SERIAL-2 SUBD 9PTS FEMELLE		OPTION SERIAL-3 SUBD 9PTS FEMELLE	
PIN	RS232	PIN	RS422	RS485	CANBUS
1		1			
2	RXD	2			
3	TXD	3	RX-		
4		4	RX+		
5	GND	5	GND	GND	GND
6		6			
7		7	TX-	TRX-(B)	CANL
8		8	TX+	TRX+(A)	CANH
9		9			

With RS422, RS485, and CAN module, jump of validation for final resistances (120Ω).
By default : Selected resistance.

IO SUBD 25 PTS FEMALE			
PIN		PIN	
1	INP 1	14	INP 7
2	INP 2	15	INP 8
3	INP 3	16	INP 9
4	INP 4	17	INP 10
5	INP 5	18	INP 11
6	INP 6	19	INP 12
7	0 V	20	OUT 5
8	OUT 1	21	OUT 6
9	OUT 2	22	OUT 7
10	OUT 3	23	OUT 8
11	OUT 4	24	0 V
12	+24 V	25	0 V

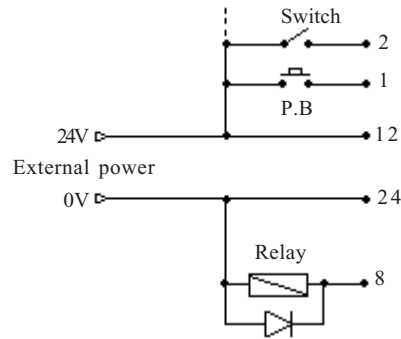
pin 7, 24, 25 :
internal connection
pin 12, 13 :
external connection

Mounting :



The panel surface must be flat and rigid to ensure tightness

Connect input/output example



Personnalisable labels :

F1 to F6 keys can be personalisable.

Use personalisable blank pre-cutlabel supplied and write new informations.

- Open behind panel
- Remote label already placed down left.
- Introduce new label and close behind panel.

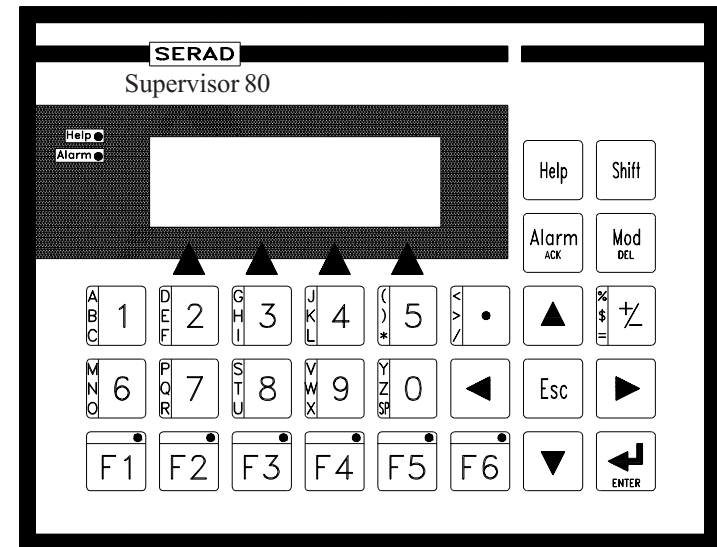
CAUTION !! Turn off all power supplying of this equipement.

We reserve ourselves the right for modified this document without notice.

OPERATOR TERMINAL

SUPERVISOR 80

INSTALLATION GUIDE



SERAD S.A
271 Route des crêtes
44440 TEILLE-FRANCE

Phone : 33.2.40.97.24.54
Fax : 33.2.40.97.27.04
E-Mail : info@serad.fr

Display :

- Monochrome LCD display (4*20) with backlight by DEL
- Display area 74x23mm
- Standart display, flashing
- ASCII protocol

Keyboard :

- 28 keys with tactile feelback
- 4 dynamic function keys
- 6 windows for re-editing labels
- Control and scrolling keys
- Help key
- Alarm key
- Numerical and alphanumerical keypad
- 8 state visualization leds.
- Buzzer


Performances :

- 32 bits processor
- 1 Mbits flash memory, 512 Kbits non-volatile RAM
- Real-time clock
- Watch dog : (48VAC max, 2A max)
- RS232 serial communication port
- Optional RS422 or RS485 serial communication port
- Optional fieldbus : CANBUS.
- Optional output/input module :
 - 12 PNP type inputs, 20..33VDC input current per input : 12mA
 - 8 PNP type outputs, 24VDC protected, output current per output : 100mA

Add clamping diodes on inductive loads
 Capacitive loads prohibited
 If short circuit is detected, led fault switch on.
 If a short circuit is detected, 24 V power supply must be shut down to restart module.

Technical features :

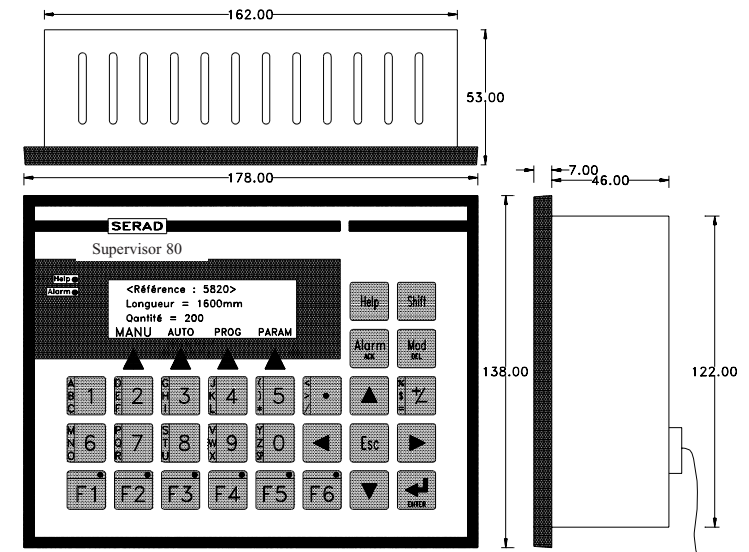
- Supply voltage 24Vdc
- 10W power requirement
- 0 to 45°C operating temperature
- Storage -20 à 70°C temperature
- Front panel protection IP65



CAUTION

- This equipment must be installed only by qualified electrical personnel.
- Supply power 24 VDC, protected with a fuse 2 A max.
- Turn off power supplying this equipment before working on or inside equipment.

Dimension :



Panel cut-out :

